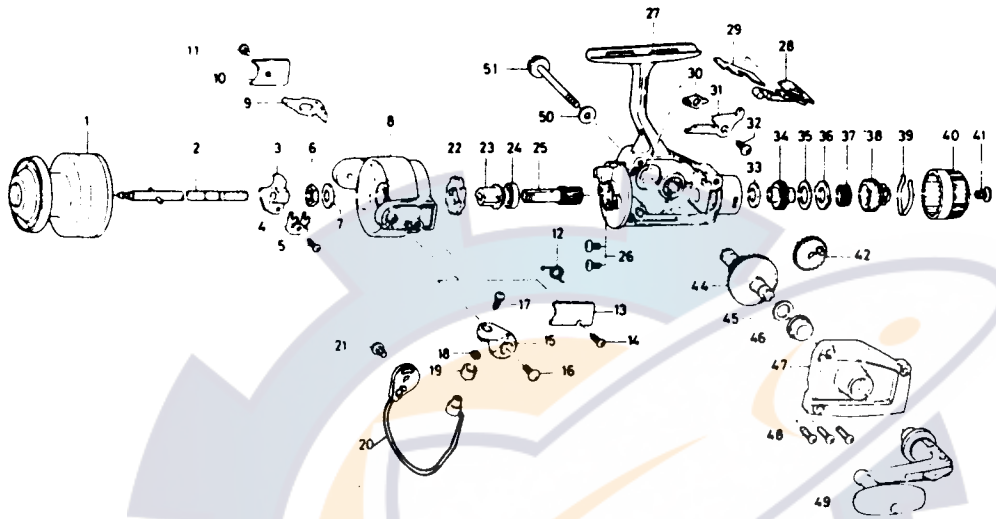




# SPINNING REEL TL1050/1350



Key No.	Parts No.	Parts Name	Key No.	Parts No.	Parts Name
1	B77-8609	Spool	30	B80-3901	Anti-reverse pawl plate
2	B74-8201	Main shaft	31	B74-6302	Anti-reverse pawl
3	B74-8101	Oscillating slider	32	351-6102	Anti-reverse pawl screw
4	B81-2701	Oscillating slider retainer	33	B48-9901	Drag washer A
5	351-1804	Oscillating slider screw	34	B74-7401	Click gear
6	341-9201	Rotor nut	35	B76-0502	Drag washer B
7	373-5402	Rotor washer	36	B49-0103	Eared washer
8	B76-1207	Rotor	37	B92-6701	Drag coil spring
9	B76-2902	Bail trip lever	38	B74-7603	Drag screw
10	B74-7301	Bail trip cover	39	B74-7701	Drag washer spring
11	352-0402	Bail trip cover screw	40	B74-7801	Drag knob
12	B18-7702	Bail spring	41	352-1105	Drag knob spring screw
13	B76-0101	Bail spring cover	42	413-4501	Oscillating gear
14	352-0402	Bail spring cover screw	44	B82-2601	Drive gear
15	B76-0201	Bail arm	45	373-7800	Drive gear washer
16	351-6102	Bail arm screw	46	B12-9002	Bearing
17	B67-9301	Line roller screw	47	K08-7701	Side cover
18	B55-4301	Line roller washer	48	351-6407	Side cover screw
19	250-3921	Line roller	49	B93-3601	Handle
20	B76-2101	Bail	50	B78-8501	Handle lock washer
21	351-6102	Bail trip cam screw	51	B62-4703	Handle lock screw
22	B76-0002	Anti-reverse ratchet			
23	B93-3401	Pinion spacer			
24	634-1301	Ball bearing			
25	B82-3201	Pinion gear			
26	351-7703	Ball bearing screw			
27	K08-7601	Body			
28	B84-8901	Anti-reverse lever			
29	B79-0101	Anti-reverse cam spring			

TL 1350 Special Parts		
1	B77-8815	Spool
8	B75-9908	Rotor
9	B74-7202	Bail trip lever
20	B76-2301	Bail
27	K08-7602	Body
47	K08-7702	Side cover